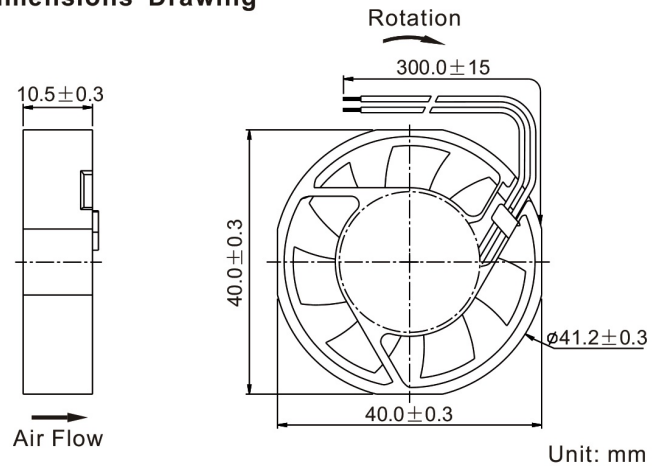


## ■ Dimensions Drawing

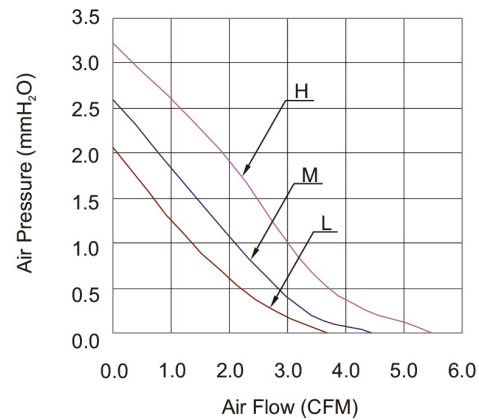


### General Specification:

- Frame and Impeller : Thermal Plastic , UL 94V-0
- Lead Wires : UL Type  
(+) : Red (-) : Black
- Operation Temperature : -10°C~70°C、  
35%~85%RH
- Storage Temperature : -40°C~80°C、  
35%~85%RH



## ■ Performance Curves



Listed Model	Bearing System	Rated Voltage	Operation Voltage	Rated Current	Rated Speed	Air Flow	Air Pressure	Noise Level	Available Features (Optional)				Weight
		VDC	VDC	A	RPM	CFM	mmH <sub>2</sub> O	dBA	Tachometer Output	Rotation Detector	Thermal Control	Pulse Width Modulation	
RDH4010S-1	Sleeve	12	6.0~13.8	0.09	7,000	5.5	3.2	30	•	•			16
RDM4010S-1			6.0~13.8	0.07	6,000	4.5	2.6	26	•	•			
RDL4010S-1			7.0~13.8	0.06	5,000	3.7	2.1	22	•	•			
RDH4010B-1	Ball		6.0~13.8	0.09	7,000	5.5	3.2	30	•	•			
RDM4010B-1			6.0~13.8	0.07	6,000	4.5	2.6	26	•	•			
RDL4010B-1			7.0~13.8	0.06	5,000	3.7	2.1	22	•	•			