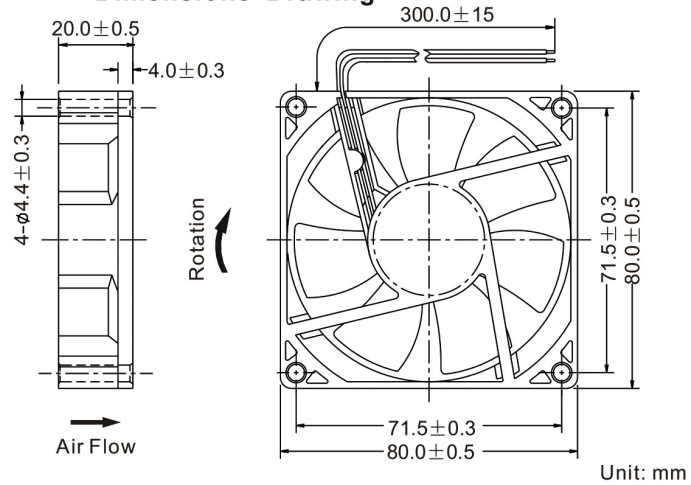




■ Dimensions Drawing

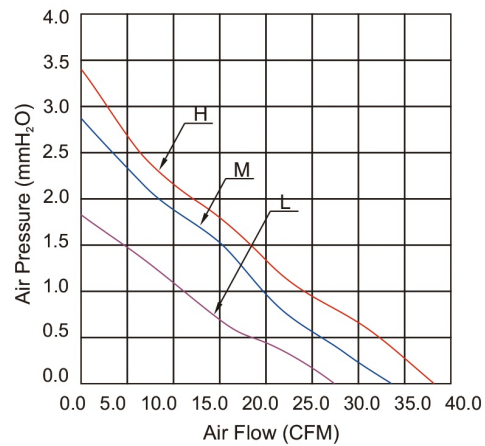


General Specification:

- Frame and Impeller : Thermal Plastic , UL 94V-0
- Lead Wires : UL Type
(+) : Red (-) : Black
- Operation Temperature : -10°C~70°C、
35%~85%RH
- Storage Temperature : -40°C~80°C、
35%~85%RH



■ Performance Curves



Listed Model	Bearing System	Rated Voltage	Operation Voltage	Rated Current	Rated Speed	Air Flow	Air Pressure	Noise Level	Available Features (Optional)				Weight g
		VDC	VDC	A	RPM	CFM	mmH ₂ O	dBA	Tachometer Output	Rotation Detector	Thermal Control	Pulse Width Modulation	
RDH8020S	Sleeve	12	6.0~13.8	0.23	3,500	38.8	3.3	40	•	•		•	64
RDM8020S			6.0~13.8	0.17	3,000	33.5	2.4	35	•	•		•	
RDL8020S			6.0~13.8	0.13	2,500	27.6	1.7	30	•	•		•	
RDH8020B	Ball		6.0~13.8	0.23	3,500	38.8	3.3	40	•	•		•	
RDM8020B			6.0~13.8	0.17	3,000	33.5	2.4	35	•	•		•	
RDL8020B			6.0~13.8	0.13	2,500	27.6	1.7	30	•	•		•	
RDH8020S2	Sleeve	24	12.0~27.6	0.21	3,500	38.8	3.3	40	•	•			64
RDM8020S2			12.0~27.6	0.14	3,000	33.5	2.4	35	•	•			
RDL8020S2			12.0~27.6	0.12	2,500	27.6	1.7	30	•	•			
RDH8020B2	Ball		12.0~27.6	0.21	3,500	38.8	3.3	40	•	•			
RDM8020B2			12.0~27.6	0.14	3,000	33.5	2.4	35	•	•			
RDL8020B2			12.0~27.6	0.12	2,500	27.6	1.7	30	•	•			