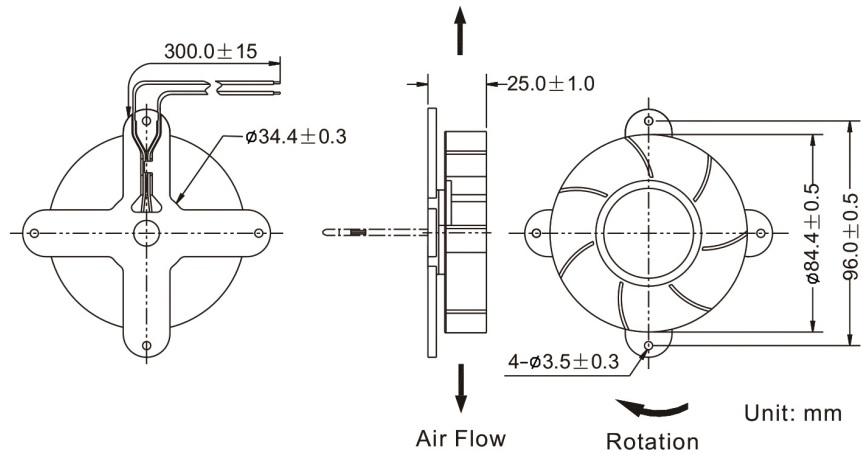
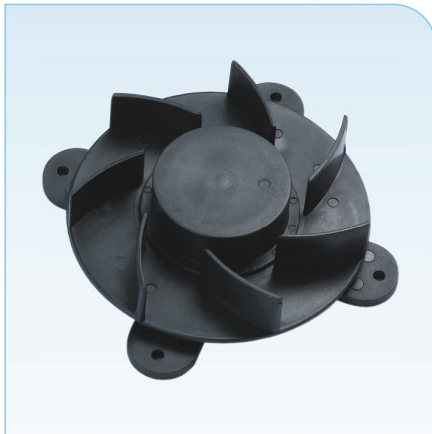


■ Dimensions Drawing



General Specification:

- Frame and Impeller : Thermal Plastic , UL 94V-0
- Lead Wires : UL Type
(+) : Red (-) : Black
- Operation Temperature : -10°C~70°C、
35%~85%RH
- Storage Temperature : -40°C~80°C、
35%~85%RH



| Listed Model | Bearing System | Rated Voltage | Operation Voltage | Rated Current | Rated Speed | Air Flow | Air Pressure | Noise Level | Available Features (Optional) | | | | Weight |
|--------------|----------------|---------------|-------------------|---------------|-------------|----------|--------------------|-------------|-------------------------------|-------------------|-----------------|------------------------|--------|
| | | VDC | VDC | A | RPM | CFM | mmH ₂ O | dBA | Tachometer Output | Rotation Detector | Thermal Control | Pulse Width Modulation | g |
| RDH9025S BPT | Sleeve | 12 | 6.0~13.8 | 0.35 | 2,500 | --- | --- | 35 | • | • | | | 75 |
| RDM9025S BPT | | | 6.0~13.8 | 0.25 | 2,100 | --- | --- | 30 | • | • | | | |
| RDL9025S BPT | | | 6.0~13.8 | 0.20 | 1,800 | --- | --- | 27 | • | • | | | |
| RDH9025S APT | | | 6.0~13.8 | 0.35 | 2,500 | --- | --- | 35 | • | • | | | |
| RDM9025S APT | | | 6.0~13.8 | 0.25 | 2,100 | --- | --- | 30 | • | • | | | |
| RDL9025S APT | | | 6.0~13.8 | 0.20 | 1,800 | --- | --- | 27 | • | • | | | |